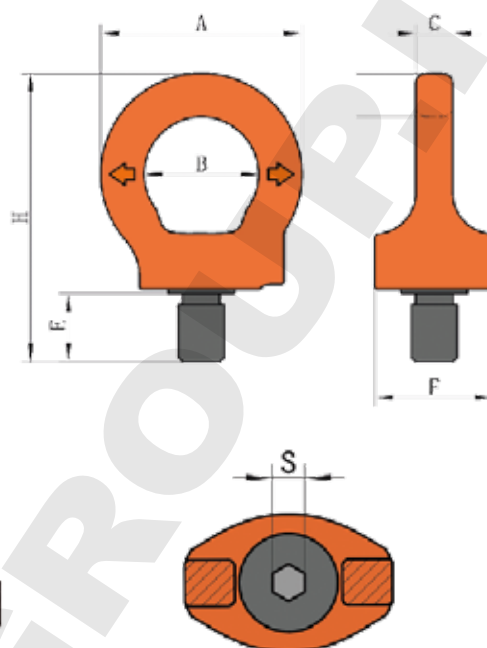


KEP-GOLFARE GIREVOLE
KEP- SWIVEL LIFTING POINT


360° rotated


KEP

 KEP-Golfare girevole
 KEP- Swivel lifting point

Code	WLL _t	Thread M	E	A	B	C	D	F	H	S	Nm	Kg
KEP800030080X120	0.3	M8x1.25-6G	12	44	25	8	9.5	26	61.5	6	10	0.15
KEP80004010X0150	0.4	M10x1.5-6G	15	44	25	8	9.5	26	64.5	6	10	0.15
KEP80007012X0180	0.75	M12x1.75-6G	18	52	30	10	11	32	76	8	10	0.2
KEP80007014X0180	0.75	M14x2.0-6G	18	52	30	10	11	32	76	8	20	0.2
KEP80015016X0240	1.5	M16x2.0-6G	24	61	35	14	13	39	91	10	30	0.35
KEP80015018X0240	1.5	M18x2.5-6G	24	61	35	14	13	39	91	10	40	0.35
KEP80023020X0300	2.3	M20x2.5-6G	30	70	40	16	15	47	108	12	70	0.6
KEP80023022X0300	2.3	M22x2.5-6G	30	70	40	16	15	47	108	12	80	0.6
KEP80032024X0360	3.2	M24x3.0-6G	36	84	48	19	18	55	127	14	150	1
KEP80032027X0360	3.2	M27x3.0-6G	36	84	48	19	18	55	127	14	200	1
KEP80045030X0450	4.5	M30x3.5-6G	45	105	60	24	22.5	67	159	17	350	2
KEP80045033X0450	4.5	M30x3.5-6G	45	105	60	24	22.5	67	159	17	350	2
KEP80070036X0540	7	M36x4.0-6G	54	126	72	29	27	85	195	22	410	3
KEP80090042X0630	9	M42x4.5-6G	63	147	82	34	32.5	98	225.5	22	550	5
KEP80120048X0780	12	M48x5.0-6G	72	168	96	38	36	114	259	27	550	7.5



KEP

KEP-Golfare girevole
KEP- Swivel lifting point

1 tratto 1 leg	2 tratti 2 legs	1 tratto 1 leg	2 tratti 2 legs	2 tratti 2 legs		2 tratti 2 legs	3-4 tratti 3-4 legs		3-4 tratti 3-4 legs
0°	0°	90°	90°	0-45°	45-60°	Asym	0-45°	45-60°	Asym

WLL t

	1	2	0.3	0.6	0.42	0.3	0.3	0.63	0.45	0.3
KEP800030080X120	1	2	0.3	0.6	0.42	0.3	0.3	0.63	0.45	0.3
KEP80004010X0150	1	2	0.4	0.8	0.56	0.4	0.4	0.8	0.6	0.4
KEP80007012X0180	2	4	0.75	1.5	1	0.75	0.75	1.5	1.1	0.75
KEP80007014X0180	2	4	0.75	1.5	1	0.75	0.75	1.5	1.1	0.75
KEP80015016X0240	4	8	1.5	3	2.1	1.5	1.5	3.1	2.2	1.5
KEP80015018X0240	4	8	1.5	3	2.1	1.5	1.5	3.1	2.2	1.5
KEP80023020X0300	6	12	2.3	4.6	3.2	2.3	2.3	4.8	3.4	2.3
KEP80023022X0300	6	12	2.3	4.6	3.2	2.3	2.3	4.8	3.4	2.3
KEP80032024X0360	8	16	3.2	6.4	4.5	3.2	3.2	6.7	4.8	3.2
KEP80032027X0360	8	16	3.2	6.4	4.5	3.2	3.2	6.7	4.8	3.2
KEP80045030X0450	12	24	4.5	9	6.3	4.5	4.5	9.4	6.7	4.5
KEP80045033X0450	12	24	4.5	9	6.3	4.5	4.5	9.4	6.7	4.5
KEP80070036X0540	16	32	7	14	9.8	7	7	14.7	10.5	7
KEP80090042X0630	24	48	9	18	12.6	9	9	18.9	13.5	9
KEP80120048X0780	32	64	12	24	16.8	12	12	25	18	12

