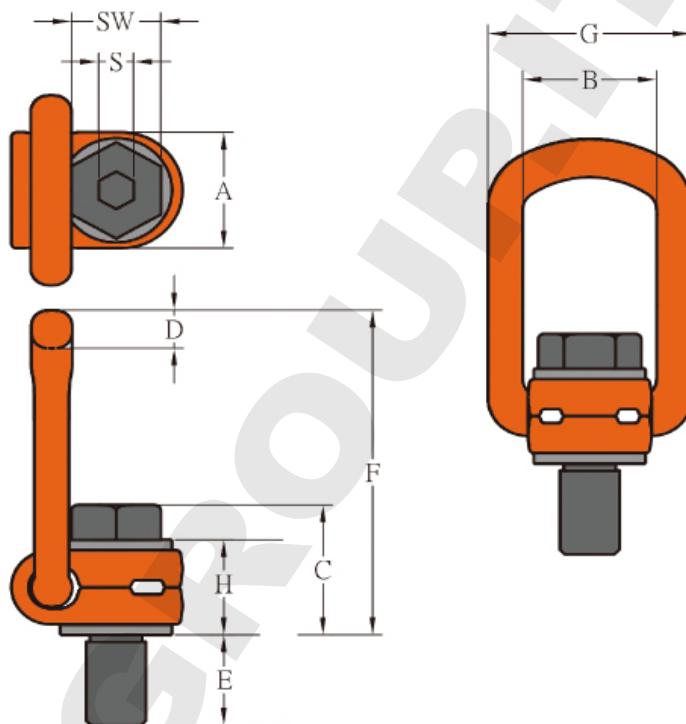


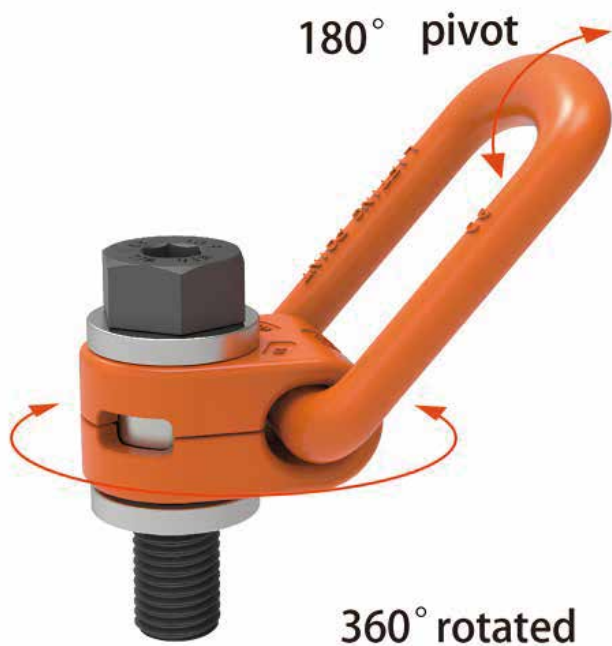
GST-GOLFARE GIREVOLE CON STAFFA
GST- SWIVEL LIFTING POINT WITH CLAMP

180° pivot


GST

 GST-Golfare girevole con staffa
 GST- Swivel lifting point with clamp

Code	WLL t	Thread M	E	A	B	C	D	F	G	H	S	SW	Nm	Kg
GST80003008X0110	0.3	M8x1.25-6G	11	34	37	42	14	98.5	57	36	6	13	30	0.5
GST80006010X0160	0.63	M10x1.5-6G	16	34	37	44	14	98.5	57	36	6	16	60	0.5
GST80010012X0180	1	M12x1.75-6G	18	34	37	45	14	98.5	57	36	8	18	100	0.5
GST80012014X0210	1.2	M14x2.0-6G	21	34	37	46	14	98.5	57	36	10	21	120	0.5
GST80015016X0240	1.5	M16x2.0-6G	24	34	37	48	14	98.5	57	36	10	24	150	0.5
GST80020018X0260	2	M18x2.5-6G	26	50	54	57	16.5	143	82	44	12	27	200	1.5
GST80025020X0300	2.5	M20x2.5-6G	30	50	54	58	16.5	143	82	44	12	30	250	1.5
GST80030022X0300	3	M22x2.5-6G	30	50	54	60	16.5	143	82	44	12	34	300	1.5
GST80040024X0360	4	M24x3.0-6G	36	50	54	61	16.5	143	82	44	14	36	400	1.5
GST80040027X0380	4	M27x3.0-6G	38	60	65	80	22	170	99	62	17	41	400	3
GST80050030X0480	5	M30x3.5-6G	48	60	65	82	22	170	99	62	17	46	500	3.5
GST80060033X0540	6	M33x3.5-6G	54	60	65	85	22	174	99	60	22	55	600	3.5
GST80070036X0540	7	M36x4.0-6G	54	60	65	85	22	174	99	60	22	55	700	3.5
GST80080036X0620	8	M36x4.0-6G	62	77	85	104	27	226.5	123	79	22	55	800	6
GST80080039X0620	8	M39x4.0-6G	62	77	85	104	27	226.5	123	79	22	55	800	6
GST80100042X0720	10	M42x4.5-6G	72	77	85	106	27	226.5	123	79	22	65	1000	6.5
GST80150042X0630	15	M42x4.5-6G	63	95	104	117	36	257.5	158	90	22	65	1500	11
GST80150045X0630	15	M45x4.5-6G	63	95	104	117	36	257.5	158	90	22	65	1600	11
GST80200048X0720	20	M48x5.0-6G	72	95	104	120	36	257.5	158	90	27	75	2000	12
GST80200052X0720	20	M52x5.5-6G	72	95	104	120	36	257.5	158	90	27	75	2000	12
GST80220056X0840	22	M56x5.5-6G	84	95	104	117	36	257.5	158	90	27	858	2100	15
GST80225064X1000	22.5	M64x6.0-6G	100	114	104	138	36	264.5	158	103	32	95	2200	16.3



GST

GST-Golfare girevole con staffa
GST- Swivel lifting point with clamp

1 tratto 1 leg	2 tratti 2 legs	1 tratto 1 leg	2 tratti 2 legs	2 tratti 2 legs		2 tratti 2 legs		3-4 tratti 3-4 legs		3-4 tratti 3-4 legs
0°	0°	90°	90°	0-45°	45-60°	Asym	0-45°	45-60°	Asym	

WLL t

GST80003008X0110	0.3	0.6	0.3	0.6	0.42	0.3	0.3	0.63	0.45	0.3
GST80006010X0160	0.63	1.26	0.63	1.26	0.88	0.63	0.63	1.32	0.95	0.63
GST80010012X0180	1	2	1	2	1.4	1	1	2.1	1.5	1
GST80012014X0210	1.2	2.4	1.2	2.4	1.7	1.2	1.2	2.5	1.8	1.2
GST80015016X0240	1.5	3	1.5	3	2.1	1.5	1.5	3.1	2.2	1.5
GST80020018X0260	2	4	2	4	2.8	2	2	4.2	3	2
GST80025020X0300	2.5	5	2.5	5	3.5	2.5	2.5	5.2	3.7	2.5
GST80030022X0300	3	6	3	6	4.2	3	3	6.3	4.5	3
GST80040024X0360	4	8	4	8	5.6	4	4	8.4	6	4
GST80040027X0380	4	8	4	8	5.6	4	4	8.4	6	4
GST80050030X0480	5	10	5	10	7	5	5	10.5	7.5	5
GST80060033X0540	6	12	6	12	8.5	6	6	12.7	9	6
GST80070036X0540	7	14	7	14	9.8	7	7	14.7	10.5	7
GST80080036X0620	8	16	8	16	11.2	8	8	16.8	12	8
GST80080039X0620	8	16	8	16	11.2	8	8	16.8	12	8
GST80100042X0720	10	20	10	20	14	10	10	21	15	10
GST80150042X0630	15	30	15	30	21	15	15	31.5	22.5	15
GST80150045X0630	15	30	15	30	21	15	15	31.5	22.5	15
GST80200048X0720	20	40	20	40	28	20	20	42	30	20
GST80200052X0720	20	40	20	40	28	20	20	42	30	20
GST80220056X0840	22	44	22	44	30.8	22	22	46.2	33	22
GST80225064X1000	22.5	45	22.5	45	31.5	22.5	22.5	47.25	33.75	22.5

